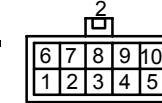
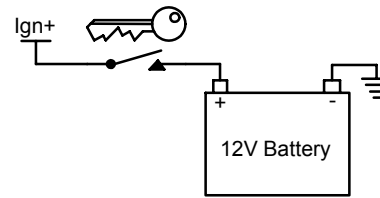


# Chrysler A604 (41TE) ECU Mag V 20.1

File Name: Chrysler A604 (41TE) ECU Mag V 20.1

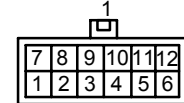
Harness Required: G05 & G06

Last Changed: 08/04/2014



Harness Pin View

1. Blue	Gearbox
2. NC	
3. Red	Gearbox
4. NC	
5. Blue	Mode LED +
6. Green	Gearbox
7. NC	
8. Yellow	Gearbox
9. Brown	+12V Relay Supply
10. Red	Lock-Up LED +

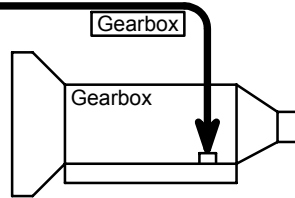


Harness Pin View

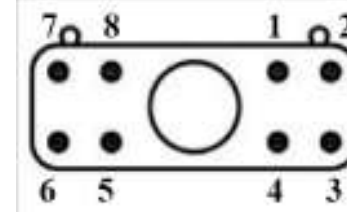
1. Yellow	Down Shift Button
2. Yellow	TPS Signal 0V to 5V
3. Blue	Map Signal 0V to 5V
4. NC	
5. NC	
6. Green	RPM Pulse
7. Green	Up Shift Button
8. Red	Reverse Signal
9. NC	+5V Out
10. Red	+12V Supply In
11. Red	Speed Sensor
12. NC	

**NC - Not Connected**  
 Ign+ Ignition Power  
 Earth  
**Terminal Connections with the same name are tied together**

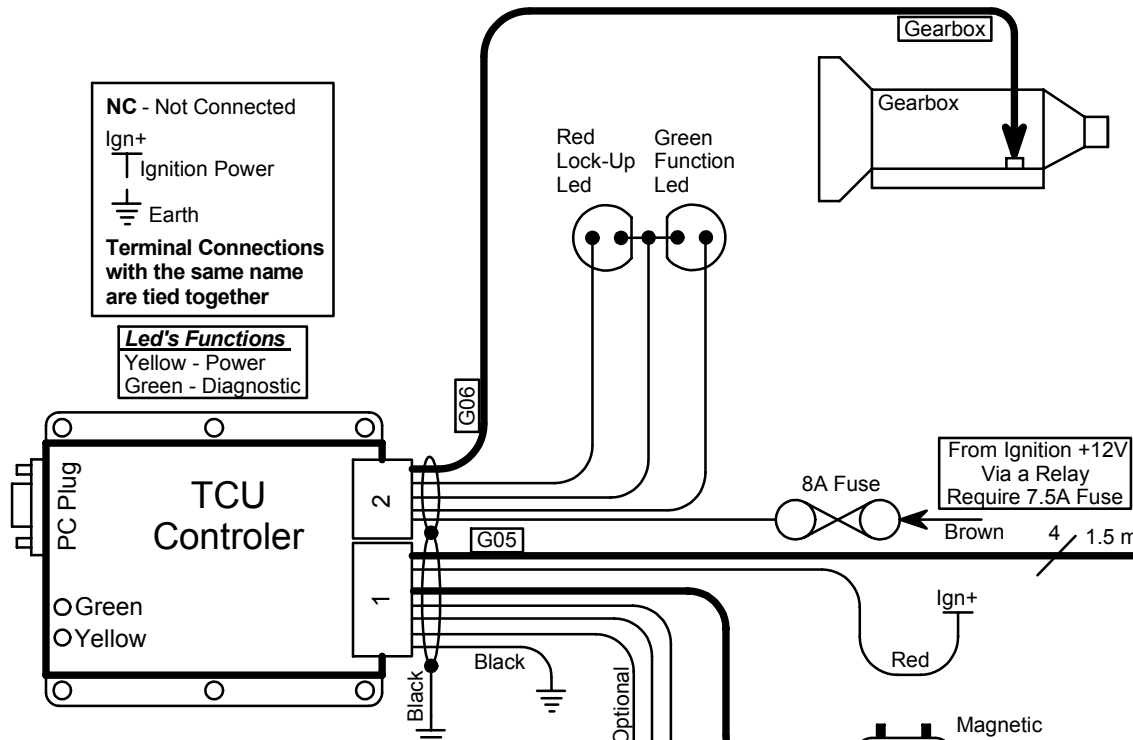
**Led's Functions**  
 Yellow - Power  
 Green - Diagnostic



Harness Connector Pin View



Pin	Harness + Color	Resistance Cold	Resistance Hot
1	Not Used		
2	Not Used		
3	Not Used		
4	Earth -		
5	Gearbox Green	1 - 3	
6	Gearbox Blue	1 - 3	
7	Gearbox Yellow	1 - 3	
8	Gearbox Red	1 - 3	



**ECU System**  
 Green - ECU Ign (Hall / Optic Sensor) 1 Pulse / Spark  
 Yellow - ECU  
 Orange - Mr Turbo  
 Blue/Yellow - GoTech  
 Grey/Red - Dictator (5V TPS Signal)

Green RPM Signal 0V & 12V  
 Yellow TPS Signal 0V to 5V

**Pin Description Harness**

1. Negative	Blue
2. Positive	Red

The TPS must be connected to an ECU system which supplies the 5V and ground signal

